



NEXTCHAIR

NEXT LEVEL COMFORT



ASSEMBLY INSTRUCTIONS



WARNING



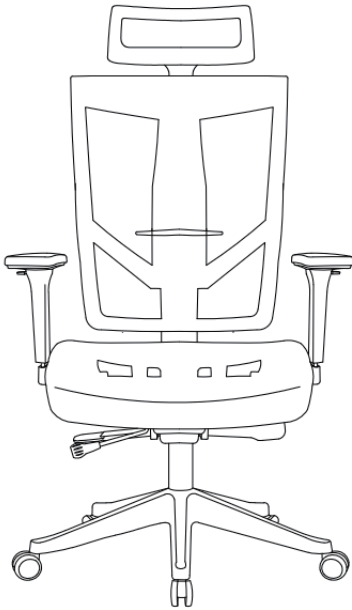
To ensure your safety, please read the instructions carefully before you begin.

Failure to follow instructions may result in serious injury or damage to product.

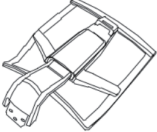


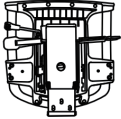
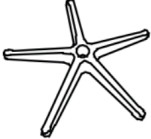







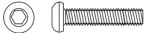

- Please note, this product is designed for seating only. Do not stand on it or use it as a ladder.
- Please ensure all bolts and parts are firmly tightened during installation.
- If there is damage to parts please contact your supplier for repair or replacement.
- Do not sit on the armrest.
- This chair is designed for single person use with maximum 130kg load.

FRONT VIEW

SIDE VIEW

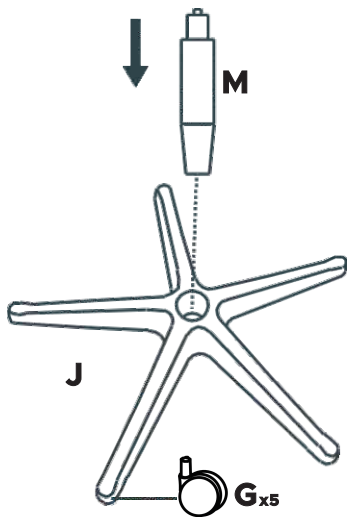


PARTS LIST

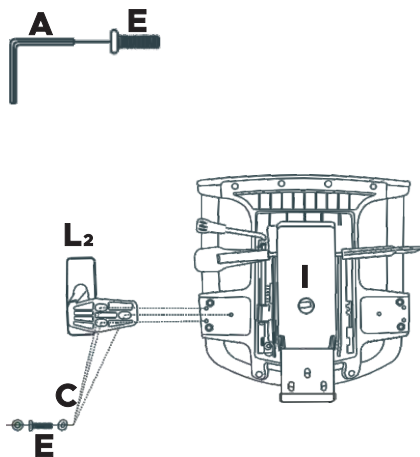
H Backrest 	L1 Armrest-left 	L2 Armrest-right 	I Seat 
J Base 	K Headrest 	M Gas Lift 	G Castors x 5 
A _{x1} Allen Wrench 	B _{x3} Spring Lock Washers 	C _{x6} Washers Ø6mm 	
D _{x3} Washers Ø8mm 	E _{x6+1} Screws M6x30mm 	F _{x3+1} Screws M8x22mm 	

ASSEMBLY INSTRUCTIONS

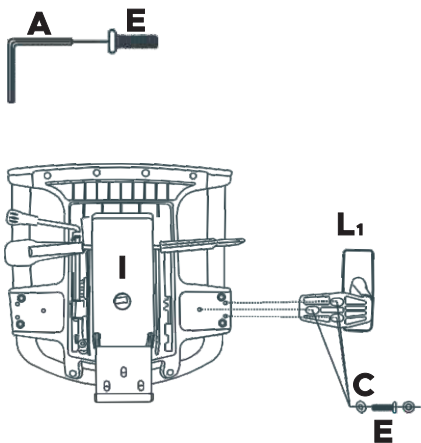
- 1** Attach castors to the base then install gas lift.



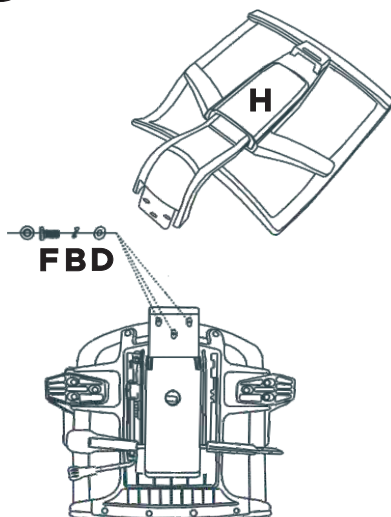
- 2** Attach the right armrest to the seat.



- 3** Attach the left armrest to the seat.

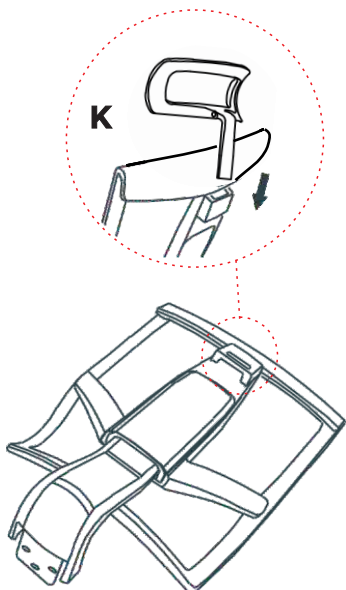


- 4** Attach the backrest to seat.

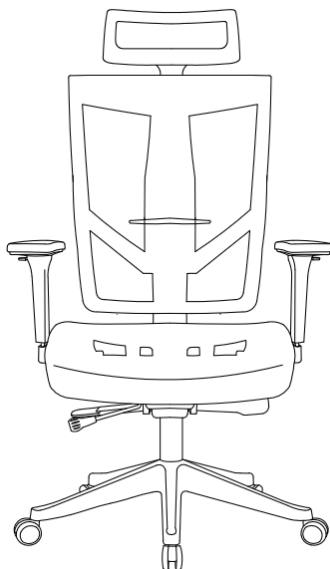


ASSEMBLY INSTRUCTIONS

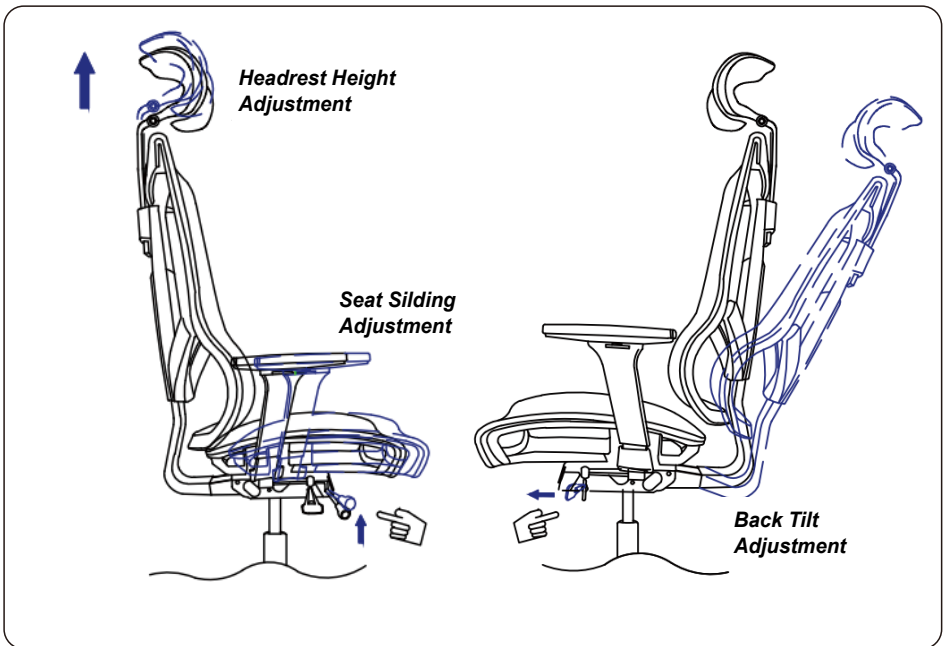
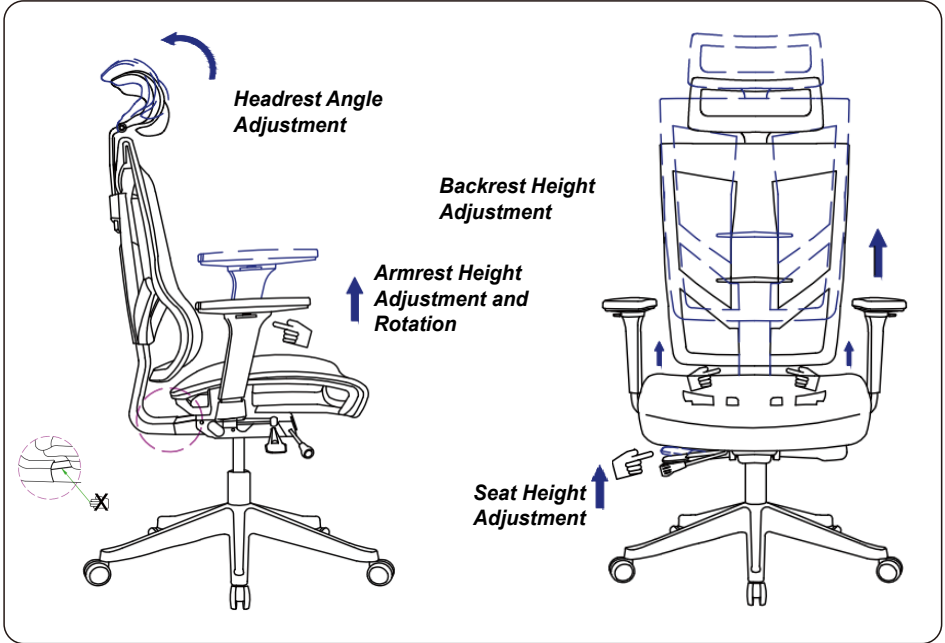
5 Attach headrest to backrest.



6 Assemble upper part to the base to complete.



FUNCTIONS GUIDE





sales@nextchair.com.sg

