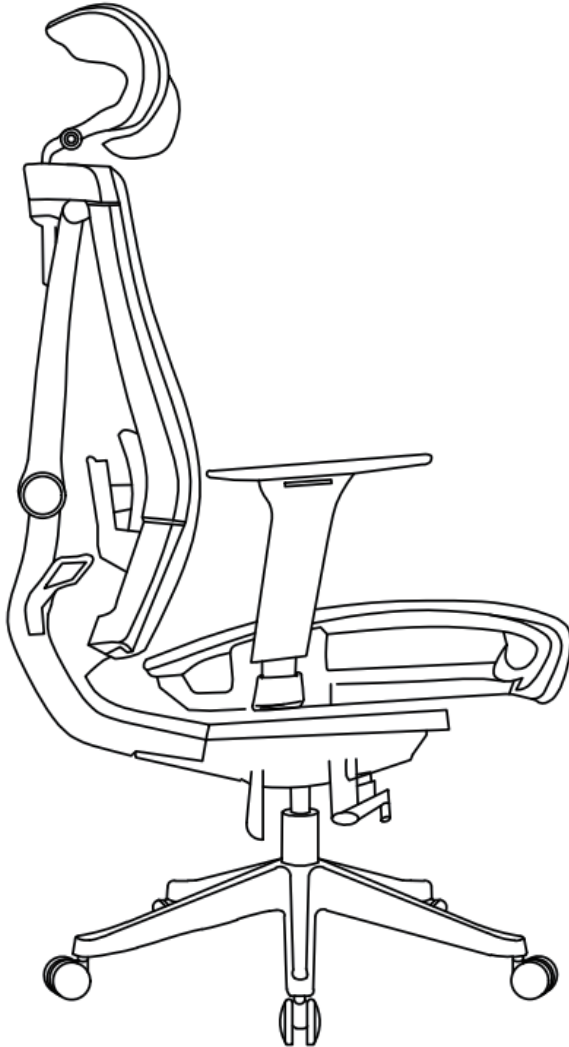




**NEXTCHAIR**

NEXT LEVEL COMFORT



**ASSEMBLY INSTRUCTIONS**



## **WARNING**

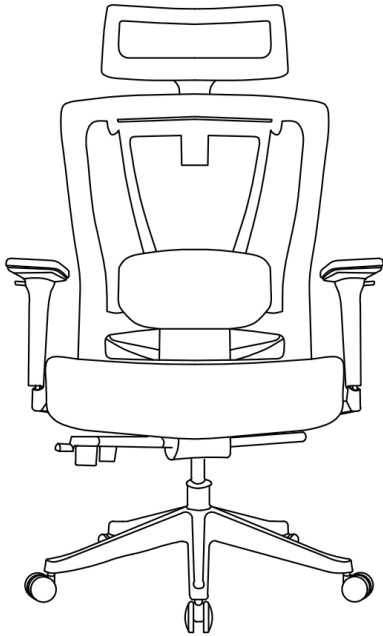


To ensure your safety, please read the instructions carefully before you begin.

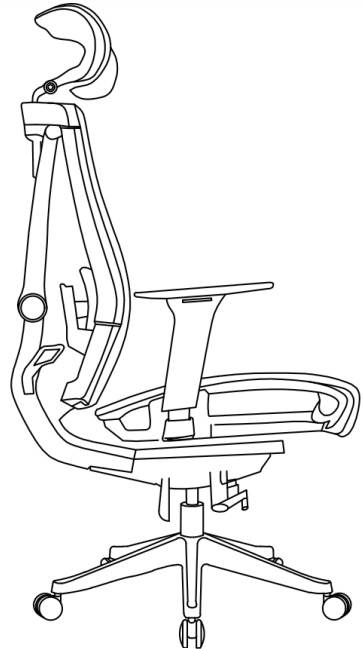
**Failure to follow instructions may result in serious injury or damage to product.**

- Please note, this product is designed for seating only. Do not stand on it or use it as a ladder.
- Please ensure all bolts and parts are firmly tightened during installation.
- If there is damage to parts please contact your supplier for repair or replacement.
- Do not sit on the armrest.
- This chair is designed for single person use with maximum 130kg load.



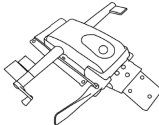
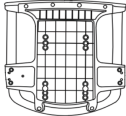




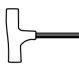


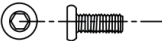
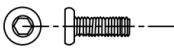


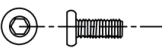
# FRONT VIEW



# SIDE VIEW

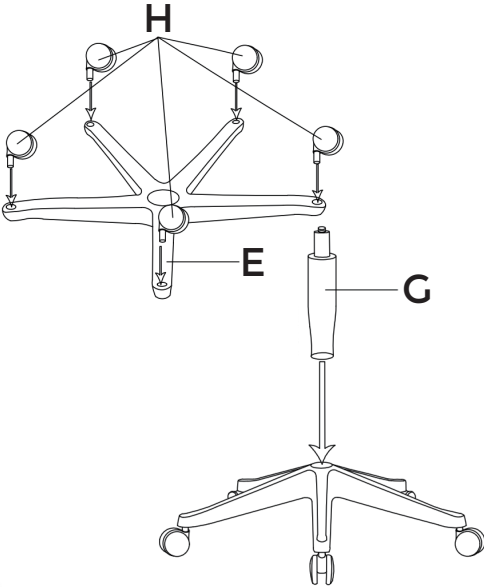


## PARTS LIST

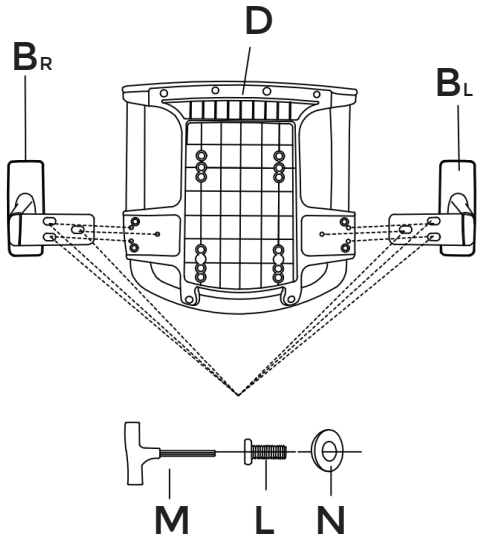
<b>A</b> Backrest 	<b>B</b> Armrest 	<b>C</b> Mechanism 	<b>D</b> Seat 
<b>E</b> Base 	<b>F</b> Headrest 	<b>G</b> Gas Lift 	<b>H</b> Castors x 5 
<b>M</b> <sub>x1</sub> Allen Wrench 	<b>L</b> <sub>x6+1</sub> Screws M6*35MM 	<b>N</b> <sub>x6</sub> Washers Ø6*14*1.5MM 	<b>Q</b> <sub>x4+1</sub> Screws M6*20MM 
<b>R</b> <sub>x3+1</sub> Screws M8*25MM 	<b>P</b> <sub>x3</sub> Spring Lock Washer M8 	<b>O</b> <sub>x3</sub> Washers Ø8*17*1.5MM 	<b>K</b> <sub>x2+1</sub> Screws M6*22MM 

# ASSEMBLY INSTRUCTIONS

- 1** Attach castors to the base then install gas lift

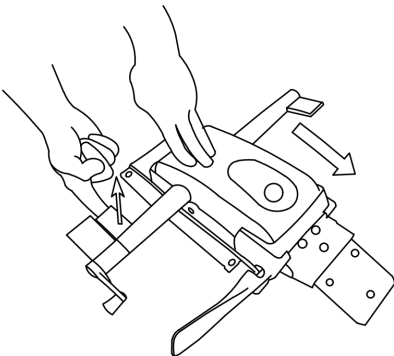


- 2** Attach the armrest to the seat

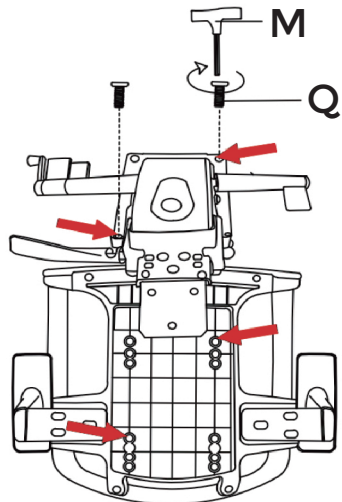


**3**

- a. Lift the handle upward  
b. Press and push forward as per picture below

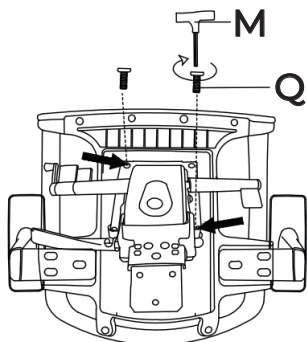


- 4** Place the mechanism in place onto the seat and align the bolt holes

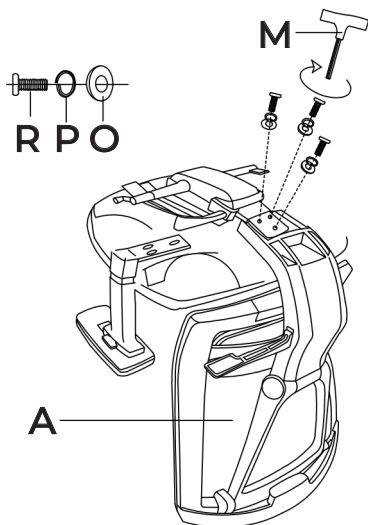


# ASSEMBLY INSTRUCTIONS

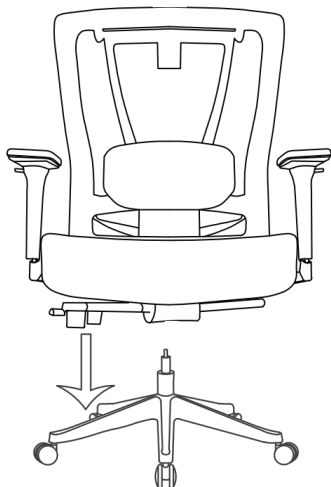
- 5** Tighten all 4 screws to secure the mechanism and seat firmly



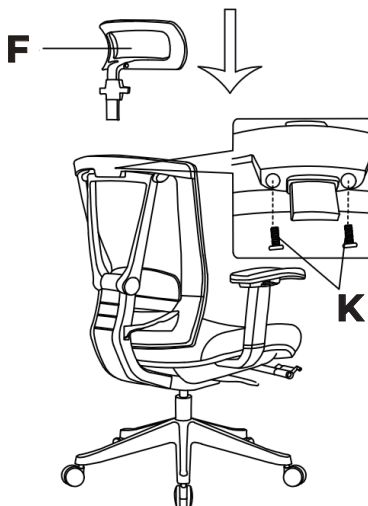
- 6** Attach the backrest to the seat



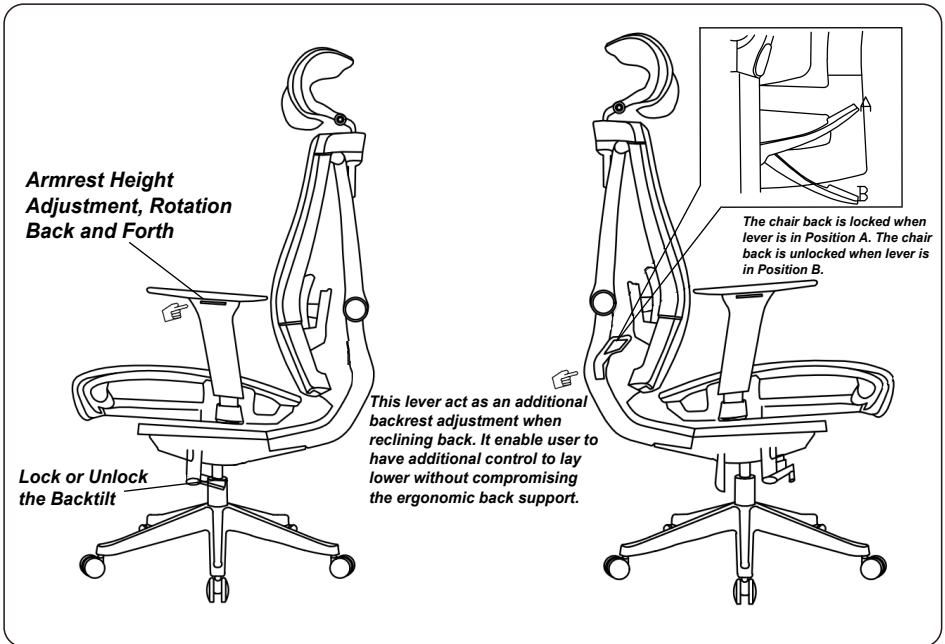
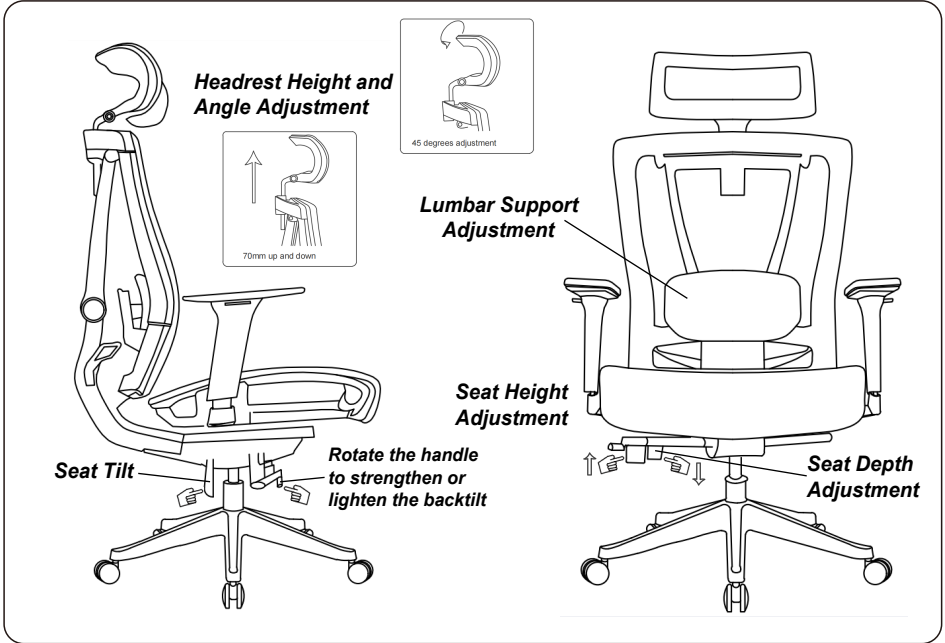
- 7** Attach the seat to the gas lift



- 8** Attach the headrest to the backrest to complete



# FUNCTIONS GUIDE





**[sales@nextchair.com.sg](mailto:sales@nextchair.com.sg)**

