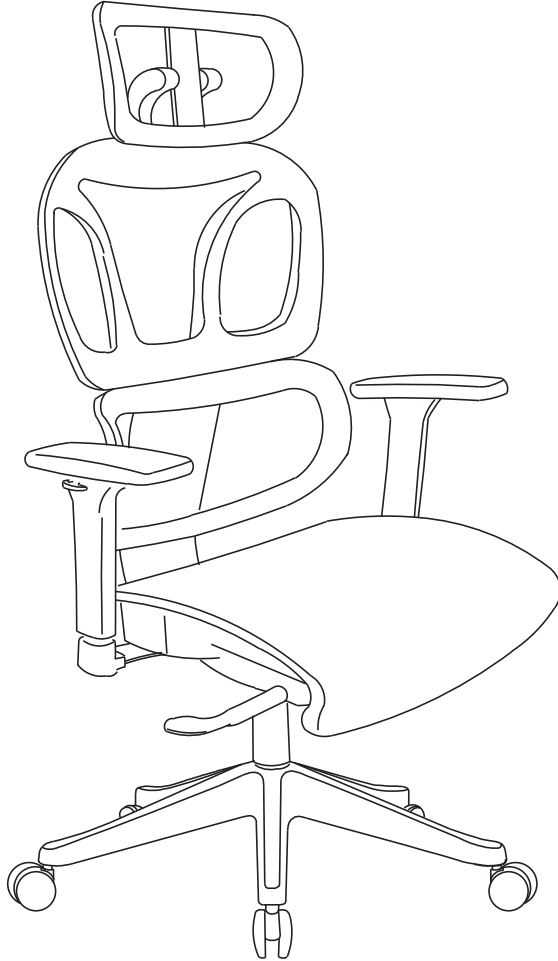




NEXTCHAIR

NEXT LEVEL COMFORT



ASSEMBLY INSTRUCTIONS



WARNING

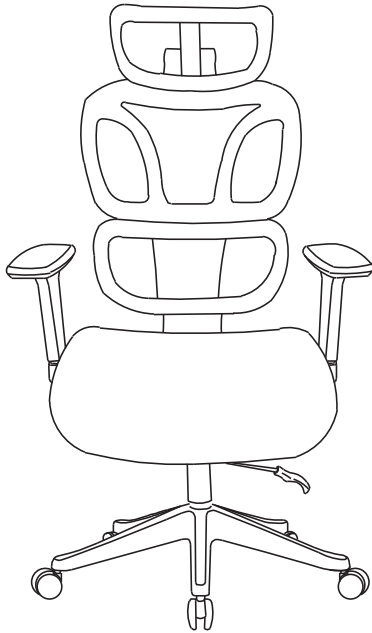


To ensure your safety, please read the instructions carefully before you begin.

Failure to follow instructions may result in serious injury or damage to product.

- Please note, this product is designed for seating only. Do not stand on it or use it as a ladder.
- Please ensure all bolts and parts are firmly tightened during installation.
- If there is damage to parts please contact your supplier for repair or replacement.
- Do not sit on the armrest.
- This chair is designed for single person use with maximum 130kg load.



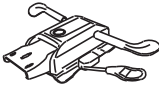







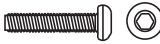






FRONT VIEW



SIDE VIEW

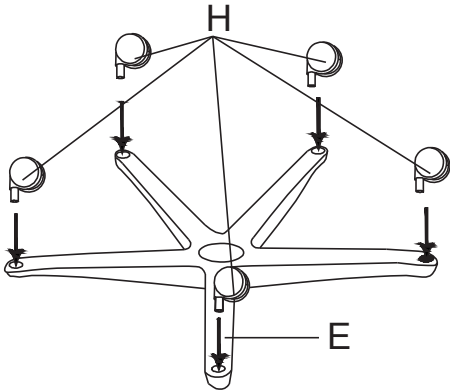


PARTS LIST

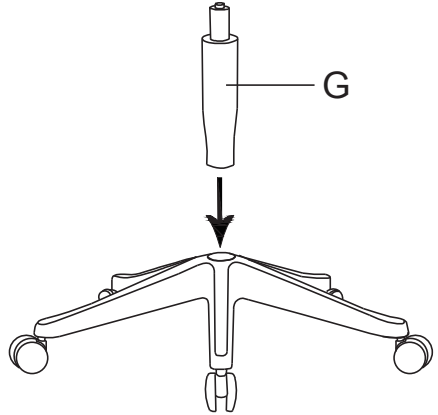
A Backrest 	B Armrest 	C Mechanism 	D Seat 	
E Base 	F Headrest 	G Gas Lift 	H Castors x 5 	
I x6+1 (M6X30MM) 	J x4+1 (M6X20MM) 	K x3+1 (M8X45MM) 	L x3+1 (Ø8X17X1.5MM) 	
M x3+1 (M8) 	N x1 	O x2+1 (M6*40MM) 	P x1 	Q x1 

ASSEMBLY INSTRUCTIONS

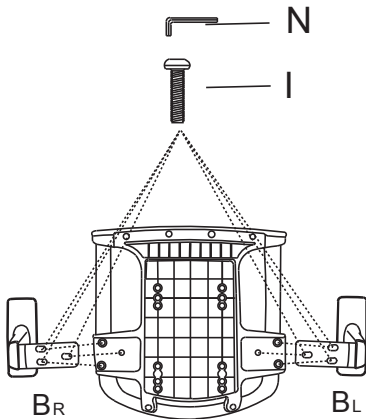
1 Attach castors to the base



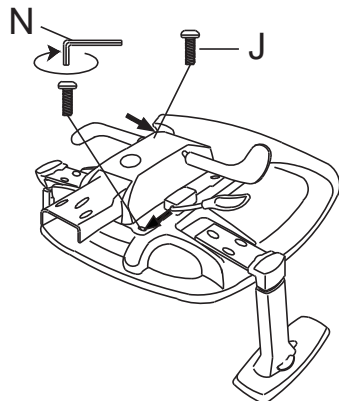
2 Attach gas lift to the base



3 Attach armrest to the seat

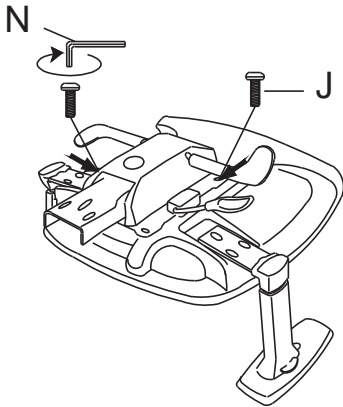


4 Place the mechanism in place onto the seat and tighten the diagonal screws halfway

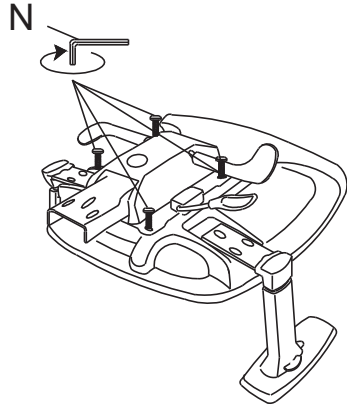


ASSEMBLY INSTRUCTIONS

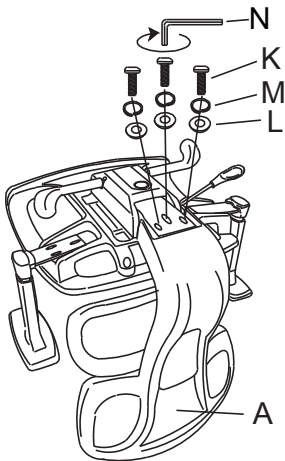
- 5** Tighten the other screws halfway



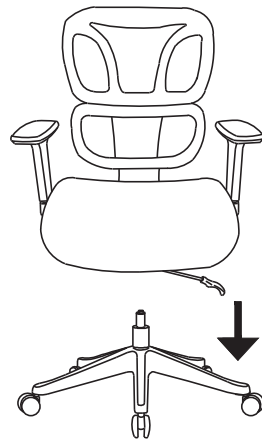
- 6** Tighten all 4 screws to ensure the mechanism on seat firmly



- 7** Attach backrest to the seat

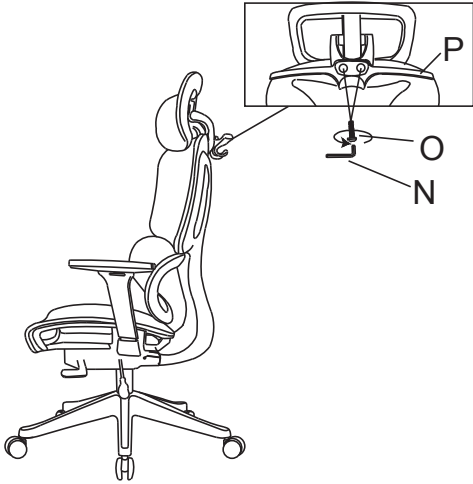


- 8** Attach seat to the gas lift

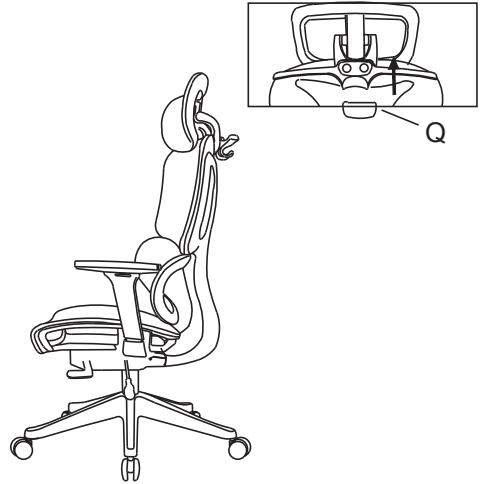


ASSEMBLY INSTRUCTIONS

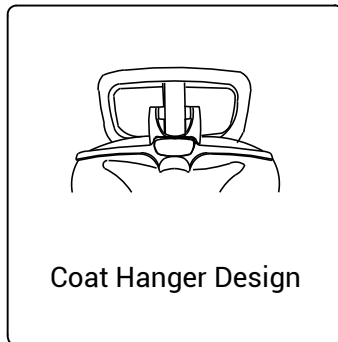
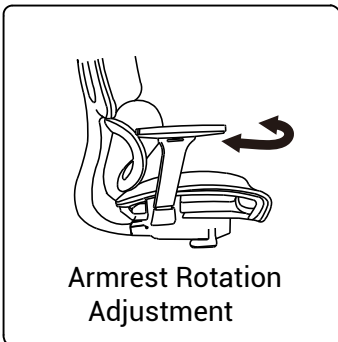
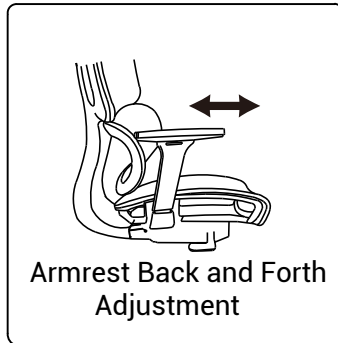
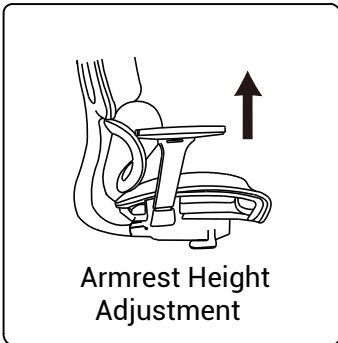
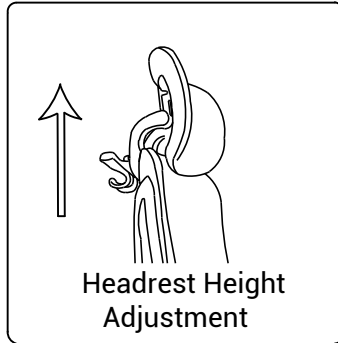
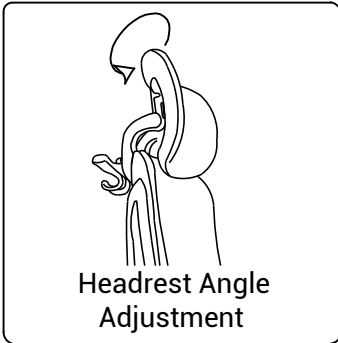
- 9** Attach coat hanger to headrest, then attach headrest to backrest



- 10** Attach cover to coat hanger

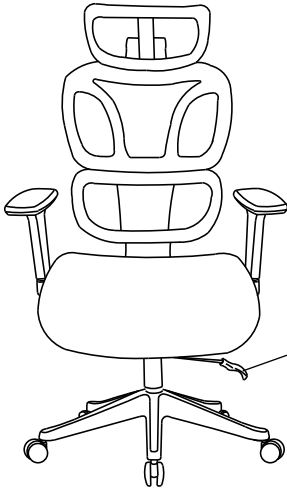
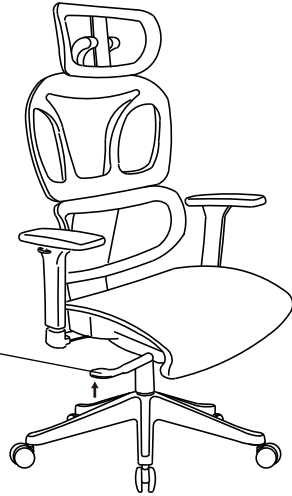


FUNCTIONAL GUIDE



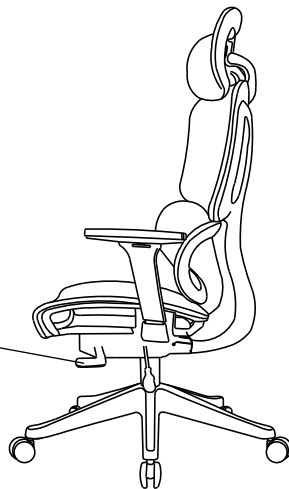
FUNCTIONAL GUIDE

Pull the handle up to adjust the seat height.



Pull the handle up to allows the seat cushion to move forward up to 60mm. Release the handle then the seat is locked

This handle controls angle of the backtilt of the chair.





sales@nextchair.com.sg

